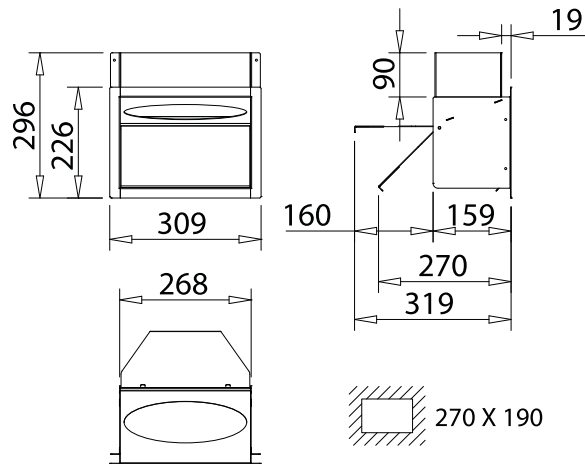


Paper Towel Dispenser

The new WIHA paper towel dispenser with waste chute is a practical tool. The paper towel dispenser is mounted at the wing door in the base cabinet under the hand washbasin. To dry the hands, the paper towels can be taken out and after use thrown into the waste chute placed below. The refilling of the paper towel dispenser and the emptying of the collection box are particularly easy after opening the hinged door.

Dimensions:
 Width: 309 mm, height: 226 mm, installation depth: 159 mm + 160 mm.
 Design:
 Paper towel dispenser made of stainless steel with swing flap. Towel dispenser suitable for paper towels 9.84 inch x 25 cm.
 The swing flap of the waste chute is self-closing.
 Required installation opening: 27 cm x 19 cm.
 Storage compartment suitable for about 300 sheets.

Art.-No.
10611

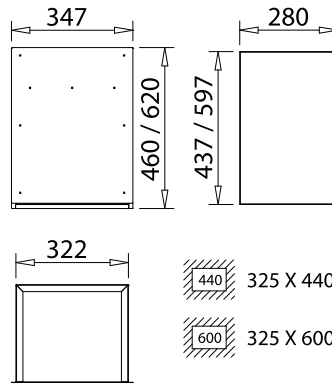


Waste Dumper

Closed metal box with removable waste dumper.
 Metal box and dumper entirely made of stainless steel.
 Installation depth 325 mm,
 Height 440 mm or 600 mm, mounting lip overlaying
 Depth 280 mm

Height 440 mm
 Height 600 mm

Art.-No.
8100
8113



Smooth front!
 Decorative panels can simply be screwed on!

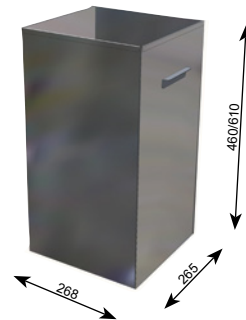
Can be easily combined with the coffee grounds drawer (same installation width).

Waste Container for Mounting

Waste container for mounting, made entirely of stainless steel
 Width 268 (300) mm, depth 265 mm.

Height 460 mm
 Height 610 mm

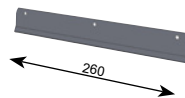
Art.-No.
8120
8121



Mounting Bracket for Waste Container

Made entirely of stainless steel.
 Dimensions: 266 mm x 40/10 mm

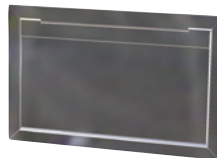
Art.-No.
8122



Swing Flap

Entirely made of stainless steel. Includes mounting frame (approx. 20 x 20 mm) with mounted swing flap.
 Dimensions: 338 x 219 mm, recess size 306 x 182 mm

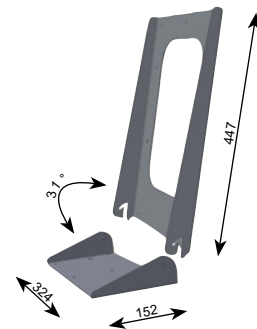
Art.-No.
8125



Lid Hinges for Waste Bin Lids

For screwing onto the customer's lid and base. The lid hinge is inserted into the base hinge. Made entirely of stainless steel.
 Width 324 mm, depth 152 mm, height 447 mm

Art.-No.
8123



Brush Holder

For mounting in the waste container, made entirely of stainless steel.
 Width 150 mm, depth 50 mm, height 40 mm

Art.-No.
8124

