

3. Air Chiller Units

angled installation (8°)



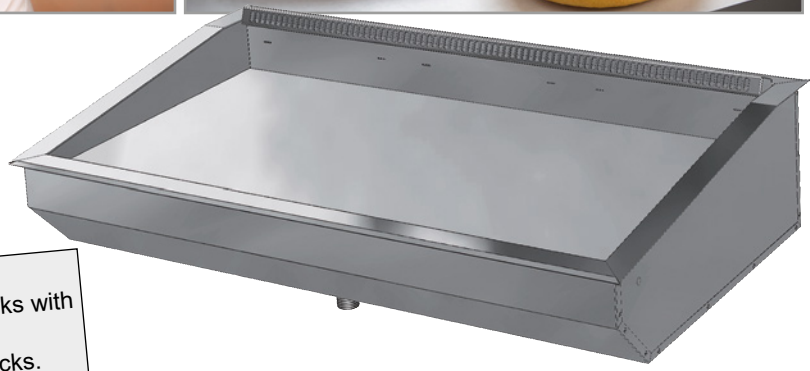
Snack-Genie® 8°

The low-priced no-frost refrigerator for cakes and snacks

3
Angled
Installation



Preferred application:
Cream cakes, cakes, snacks with heights up to 11 cm max.
Sandwiches on Snack Racks.



Reliable technology for the commercial operation

- Longer operating life of the cooling unit (LONG-LIFE)
- 2 air speeds
- Lifiable evaporator
- Service friendly (MOVE-DOWN and MOVE-AWAY technology)
- Robust digital temperature and defrost controller
- Cooling unit with power reserve



Protective machine cover and condensate pan are available as an accessory.

WIHA Snack-Genie 8°	Für external cooling unit	With cooling unit and controller	Cooling power [-10°ET]	Connection cooling unit	
Model	Art.-No.	Art.-No.			
Snack-Genie 8° - 800	10430	10433	450 W	230V/350W	■ ■
Snack-Genie 8° - 1200	10431	10434	605 W	230V/390W	■ ■ ■
Snack-Genie 8° - 1600	10432	10435	825 W	230V/540W	■ ■ ■ ■

The refrigeration units for external cooling units include an expansion valve for R134a/R513A and built-in temperature sensors. Protective machine cover and condensate pan/drain trap are available as accessories.

Special Accessories

Condensate pan mounted under the cooling unit	Art.-No. 33196
Drain fitting 1 1/4" for connecting to the customer's drain	3815
Reference thermometer for the customer side TPE 2	2182
TMP 620 controller for external cooling unit	12201
TMP 630 in place of TMP 620 controller with 2 freely usable outputs	12210
Protective machine cover type 450-825	33194

Bottom beam, single piece, foldable	Art.-No. 5982
Display shelf IMPLUSE with 2 bottom beams Width 400 mm	5980
With the display shelf IMPULSE, a product presentation is possible that is horizontal or inclined towards the customer.	

Description

Chiller unit with circulating air for cooling cakes, tarts and snacks with a merchandise height of up to 11 cm.
 To operate it, the customer should provide a glass top that should only be open on the air blow-off side.
 Temperature: < 7°C at 25°C/60% relative humidity (climate class 3 according to DIN EN ISO 23953).
 Commercial product for the installation in stationary food and service counter.

Design

Interior pan is made entirely of stainless steel, material 1.4301, with flush threaded drain fitting (1 1/4"). Pressure-injected expanded polyurethane insulation (CFC-free). The exterior is made of galvanised sheet steel. Inside the pan is a circulating air evaporator and quiet low-voltage ventilators (12 V DC) for air circulation. Located above the circulating air evaporator is a merchandise display made of ground stainless steel, material 1.4301.
 To clean the pan bottom, the merchandise display with circulating air evaporator and ventilators can be folded upwards and locked in the top position via gas pressure springs.

The evaporator and fan area are easily accessible for servicing. After the front retaining bolts have been released, the entire merchandise display can be swung away from the evaporator, making the fan area and evaporator readily accessible. The mounting lip makes installation easy.

For external cooling unit

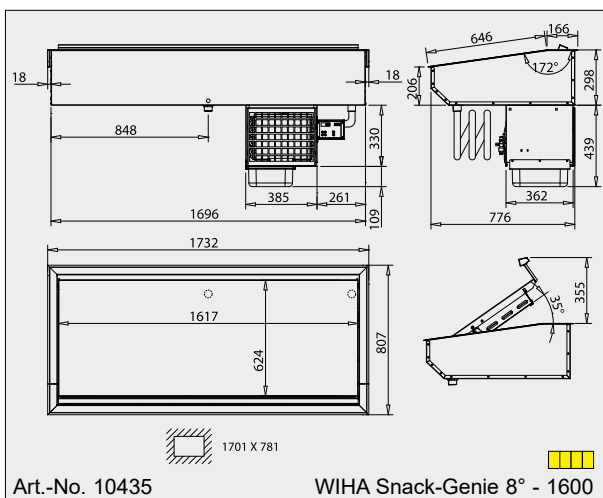
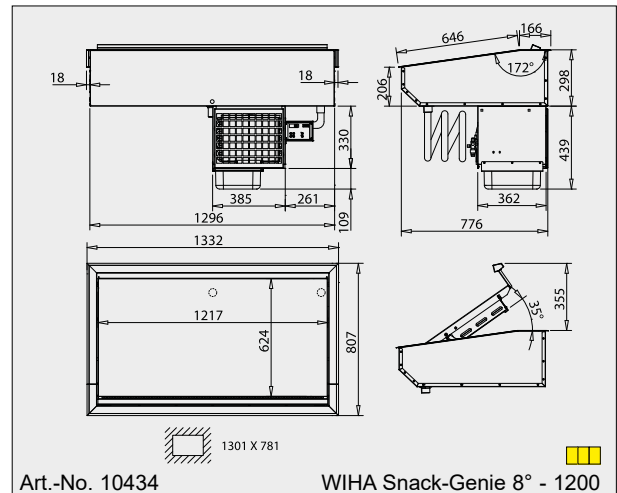
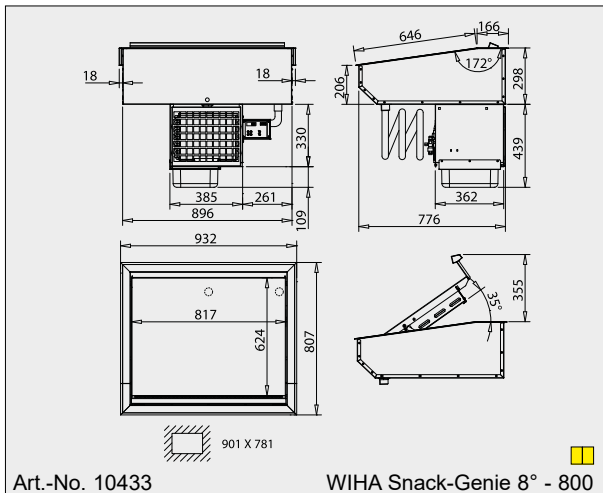
- Delivery includes:
- Expansion valve for R134a/R513A
 - Built-in temperature sensor and defrost sensor

Cooling Unit Model

The cooling unit is encased in a stainless steel housing and is located beneath the cooling pan. It is easy to remove for servicing.
 The TMP 620 digital defrost and temperature controller is mounted right next to the cooling unit. Two air speeds can be selected for different food. A freely usable output can be used for counter lighting.

With WIHA-LONG-LIFE for a longer operating life of the cooling unit.

3
Angled
Installation



The drawings are shown with special accessory that is not included; more drawings are available on www.wiha-web.com under "Info Centre / Customer Area".