

7. Display Cases – combined

different temperature zones



Snack-Counter COMBI

Serve-over version with glass construction made of safety glass

WiHA
MOVE-DOWN
Patented

WiHA
LONG-LIFE
Longer operating life of the cooling unit

WiHA
MOVE-AWAY
Patented

WiHA
SPLIT-CONTROL
(Special Accessory)
Flat and removable control panel

WiHA
LED
energy-saving & low-maintenance

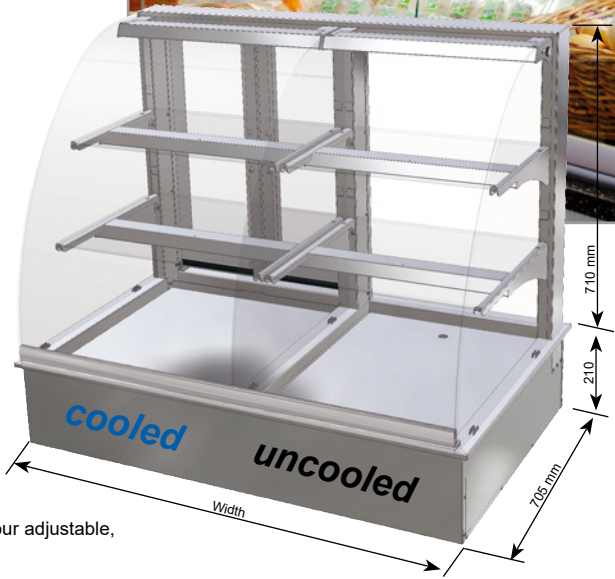


Illustration with recessed bread roll insert (available as accessory).

Suitable for petrol station shops
This combination display case is particularly suited to small spaces where uncooled and cooled snacks are offered.

Option: Light colour adjustable, see page 141.

7
Combined Display Cases

Snack-Counter 520 COMBI BE	For external cooling unit incl. controller			With cooling unit and controller			Width [mm]	Cooling power [-10°ET]	Connection
	round	angled	slanted	round	angled	slanted			
Serve-over version Height glass top 520 mm									
Snack-Counter 520 COMBI BE 1.5k+1.5	12293	12650	12662	12300	12653	12665	1075	370 W	230V/330W
Snack-Counter 520 COMBI BE 2k+2	12294	12651	12663	12291	12654	12666	1400	370 W	230V/340W
Snack-Counter 520 COMBI BE 2k+3	12295	12652	12664	12292	12655	12667	1725	370 W	230V/340W

Snack-Counter 710 COMBI BE	For external cooling unit incl. controller			With cooling unit and controller			Width [mm]	Cooling power [-10°ET]	Connection
	round	angled	slanted	round	angled	slanted			
Serve-over version Height glass top 710 mm									
Snack-Counter 710 COMBI BE 1.5k+1.5	12280	12656	12668	12286	12659	12671	1075	370 W	230V/350W
Snack-Counter 710 COMBI BE 2k+2	12281	12657	12669	12287	12660	12672	1400	370 W	230V/360W
Snack-Counter 710 COMBI BE 2k+3	12282	12658	12670	12288	12661	12673	1725	370 W	230V/360W

Special Accessories

- Condensate pan mounted under the cooling unit **Art.-No. 33266**
- Drain fitting 1 1/4" for connecting to the customer's drain **3815**
- Protective machine cover type 370/450 **8179**
- Air cooler for operation with refrigerant CO₂** (design see page 384) **10197**

Price label rails for the cooled areas see page 139.

- Price label rails for the uncooled areas of the **COMBI display cases**: **Art.-No.**
- Price label rail COMBI glass shelf GN 1.5 **11476**
- Price label rail COMBI glass shelf GN 2 **11477**
- Price label rail COMBI glass shelf GN 3 **11478**
- Price label rails for the uncooled area of the lower display area on request.
- A recessed stainless steel insert for bread rolls can be mounted in the uncooled area in place of the base display. The bottom area is equipped with a beechwood grate.
- Bread roll insert, size 1.5** **12320**
- Bread roll insert, size 2** **12321**
- Bread roll insert, size 3** **12322**

Description

Combination display case with circulation air for cooled and uncooled products. On the customer side with rounded, angled or slanted glass construction made of safety glass. The glass shelves are height adjustable and can be set at an angle, which means better presentation. Temperature: < 7°C at 25°C/60% relative humidity (climate class 3 according to DIN EN ISO 23953). Humidity: approx. 70% to 85%. Commercial product for the installation in stationary food and service counter.

Design

The combination display case is equipped on the left side with a cooled area with plain merchandise display and an uncooled area on the right side with recessed merchandise display (view from customer side). Construction, merchandise display and interior pan are made entirely of stainless steel material 1.4301. Pan interior is finished with 1 1/4" flush threaded drain fitting and hygienic corners that are easy to clean. Pressure-injected expanded polyurethane insulation. The exterior is made of galvanised sheet metal. Inside the pan is a generously sized circulating air evaporator with coated surface and quiet low-voltage ventilators (12 V DC) for air circulation. Located above the circulating air evaporator is a merchandise display made of ground stainless steel material 1.4301. To clean the pan bottom, the merchandise display with circulating air evaporator and ventilators can be folded upwards and locked in the top position via gas pressure springs. The evaporator can be folded down and away from the merchandise display for easy cleaning (MOVE-DOWN FUNCTION). To clean the area behind the pan or to carry out servicing, the merchandise display can be moved forwards (MOVE-AWAY FUNCTION).

The front glass pane is made of safety glass and can be swung outwards for easy cleaning. The side glass panes and the height adjustable shelves are also made of safety glass. For good illumination, a shielded LED light (standard colour: white) is mounted above each shelf. The mounting lip makes installation easy. A digital defrosting and temperature controller is mounted beneath the cooling pan. Two air speeds can be selected for different foods. The flat control panel (installation depth: approx. 20 mm) can be removed for mounting in the counter front (cable length: approx. 1 m). **With WIHA-LONG-LIFE for a longer operating life of the cooling unit.**

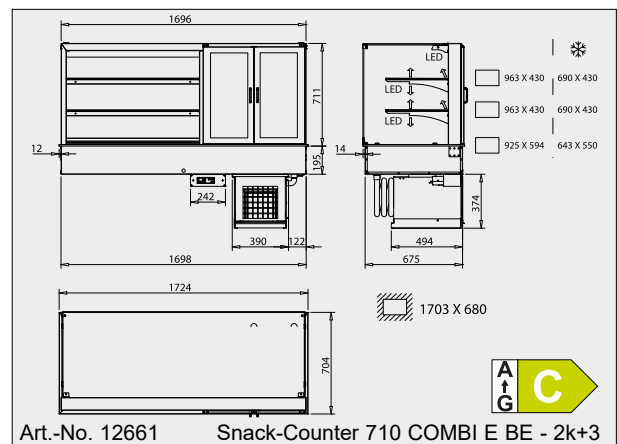
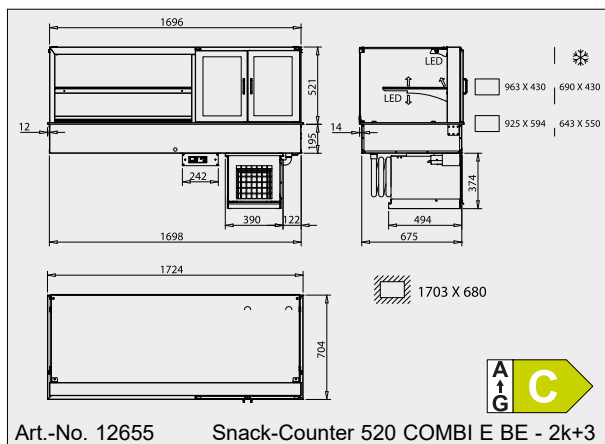
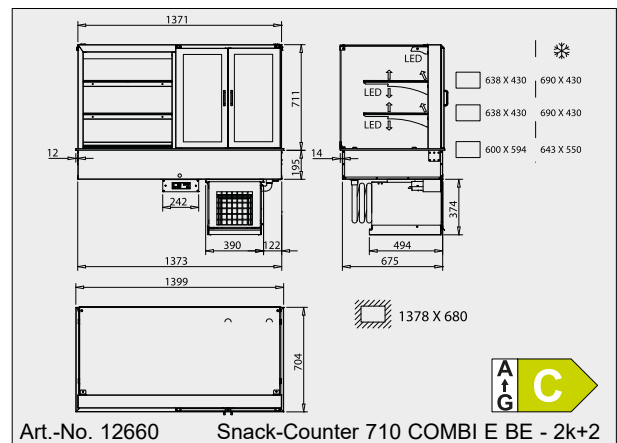
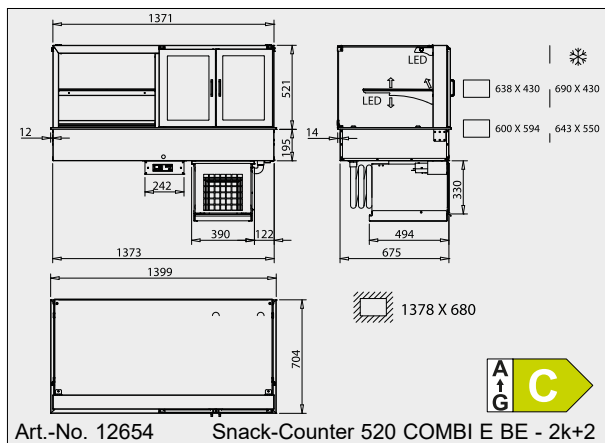
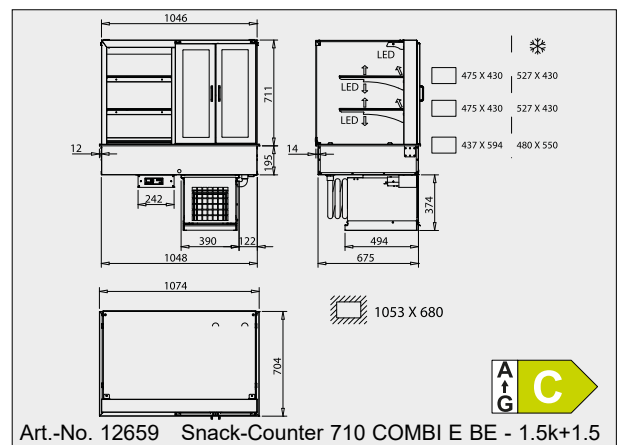
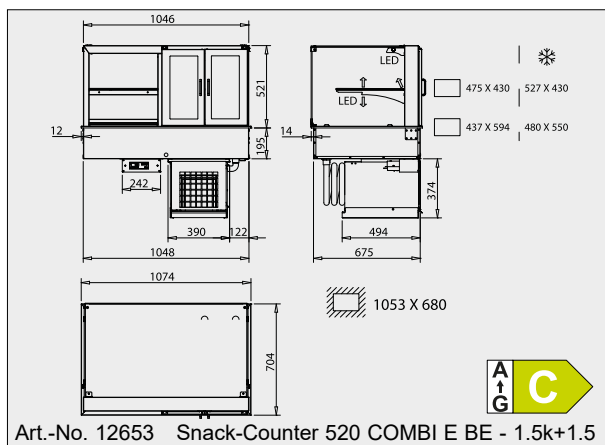
The uncooled area is open on the operator side; the cooled area is equipped with wing doors made of insulating glass. Delivery includes a merchandise display made of stainless steel for the uncooled area.

For external cooling unit

- Delivery includes:
- Expansion valve for R134a/R513A
 - Digital defrost and temperature controller

Cooling Unit Model

The cooling unit is encased in a stainless steel housing and is located beneath the cooling pan. It is easy to remove for servicing. A condensate pan is available as accessory.



The drawings are shown with special accessory that is not included in the scope of delivery; more drawings are available on www.wiha-web.com under "Info Centre / Customer Area".

7. Display Cases – combined

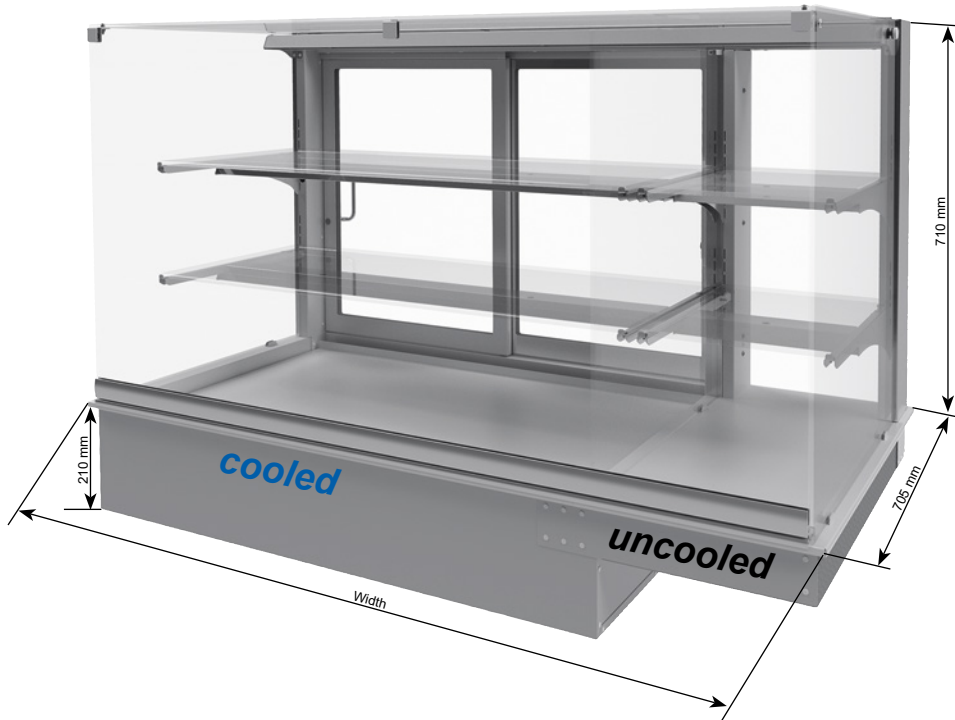
different temperature zones



Snack-Counter COMBI

Serve-over version for cooled and uncooled products

<p>Freshness System (Special Accessory) Patented</p>	<p>LED energy-saving & low-maintenance</p>
<p>Toughened Safety Glass The front pane, side panes and glass shelves are made of toughened safety glass.</p>	<p>LONG-LIFE Longer operating life of the cooling unit</p>
<p>MOVE-DOWN Patented</p>	<p>SPLIT-CONTROL (Special Accessory) Flat and removable control panel</p>
<p>MOVE-AWAY Patented</p>	<p>Soft-Close Soft-closing sliding doors Special Accessory</p>



7
Combined Display Cases

Snack-Counter 520 COMBI BE	For external cooling unit incl. controller			With cooling unit and controller			Width [mm]	Cooling power [-10°ET]	Connection
Serve-over version Height glass top 520 mm									
Snack-Counter 520 COMBI BE 3k+1	12341	12675	12685	12344	12680	12690	1400	370 W	230V/340W
Snack-Counter 520 COMBI BE 4k+1	12349	12370	12371	12372	12373	12374	1725	450 W	230V/400W

The FRESHNESS SYSTEM (circulated air disinfecting), protective machine cover and condensate pan/drain trap are available as accessories.
The dry area has an opening width of approx. 265 mm.

Snack-Counter 710 COMBI BE	For external cooling unit incl. controller			With cooling unit and controller			Width [mm]	Cooling power [-10°ET]	Connection
Serve-over version Height glass top 710 mm									
Snack-Counter 710 COMBI BE 3k+1	12342	12677	12687	12346	12682	12692	1400	450 W	230V/380W
Snack-Counter 710 COMBI BE 4k+1	12347	12678	12688	12348	12683	12693	1725	605 W	230V/540W

The FRESHNESS SYSTEM (circulated air disinfecting), protective machine cover and condensate pan/drain trap are available as accessories.
The dry area has an opening width of approx. 265 mm.

Option: Light colour adjustable, see page 141.

Special Accessories

	Art.-No.
Condensate pan mounted under the cooling unit	33266
Drain fitting 1 1/4" for connecting to the customer's drain	3815
Protective machine cover type 370/450	8179
Protective machine cover type 605	8180
Air cooler for operation with refrigerant CO₂ (design see page 384)	10197
Option soft-close (soft-closing sliding doors)	4711
Patented WIHA FRESHNESS SYSTEM see page 126.	

Price label rails for the cooled areas, see page 139.

Price label rails for the uncooled areas of the **COMBI display cases**:
Price label rail COMBI glass shelf GN 1 **Art.-No. 11475**

Price label rails for the uncooled area of the lower display area on request.

Description

Refrigerated display case with circulating air for cooling cream cakes, cakes and snacks. An uncooled dry area is attached on the right side (view from the customer side). On the customer side with rounded, angled or slanted glass construction made of safety glass. The glass shelves are height adjustable and can be set at an angle, which means better presentation. Temperature: < 7°C at 25°C/60% relative humidity (climate class 3 according to DIN EN ISO 23953). Humidity: approx. 70% to 85%. Commercial product for the installation in stationary food and service counter.

Design Cooled Area

Construction, merchandise display and interior pan are made entirely of stainless steel material 1.4301. Pan interior is finished with 1 1/4" flush threaded drain fitting and hygienic corners that are easy to clean. Pressure-injected expanded polyurethane insulation. The exterior is made of galvanised sheet steel. Inside the pan is a generously sized circulating air evaporator with coated surface and quiet low-voltage ventilators (12 V DC) for air circulation. Located above the circulating air evaporator is a merchandise display made of ground stainless steel material 1.4301.

To clean the pan bottom, the merchandise display with circulating air evaporator and ventilators can be folded upwards and locked in the top position via gas pressure springs. The evaporator can be folded down and away from the merchandise display for easy cleaning (MOVE-DOWN FUNCTION). To clean the area behind the pan or to carry out servicing, the merchandise display can be moved forwards (MOVE-AWAY FUNCTION). An uncooled dry section is attached on the right-hand side (view from the customer side).

The customer side has a glass construction made of safety glass. The front glass pane can be swung outwards for easy cleaning. The side glass panes and the height adjustable shelves are made of safety glass. For good illumination, a shielded LED light (standard colour: white) is mounted above each shelf. The mounting lip makes installation easy. The shelves can be set at an angle, which means better presentation.

A digital defrosting and temperature controller is mounted beneath the cooling pan. Two air speeds can be selected for different foods. The flat control panel (installation depth: approx. 20 mm) can be removed for mounting in the counter front (cable length: approx. 1 m).

With WIHA-LONG-LIFE for a longer operating life of the cooling unit.

On the operator side, the cooled area is equipped with sliding doors made of insulating glass. They can be easily removed for cleaning (without bottom rail).

For external cooling unit

Delivery includes:

- Expansion valve for R134a/R513A
- Digital defrost and temperature controller

Design Dry Area

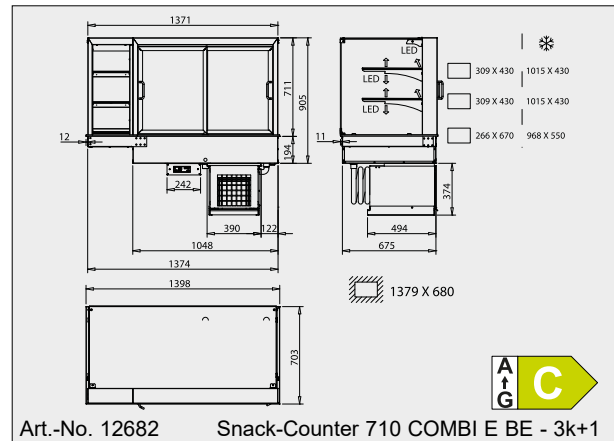
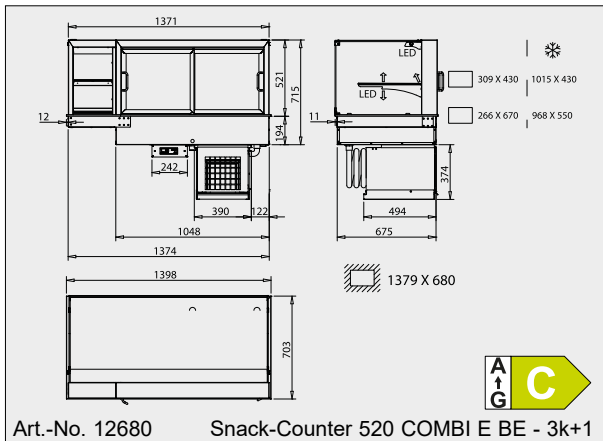
Construction and merchandise display are made entirely of stainless steel material 1.4301. For illumination, a shielded LED light is located in the upper part.

The dry area is open on the operator side to take goods out easily (opening width approx. 265 mm).

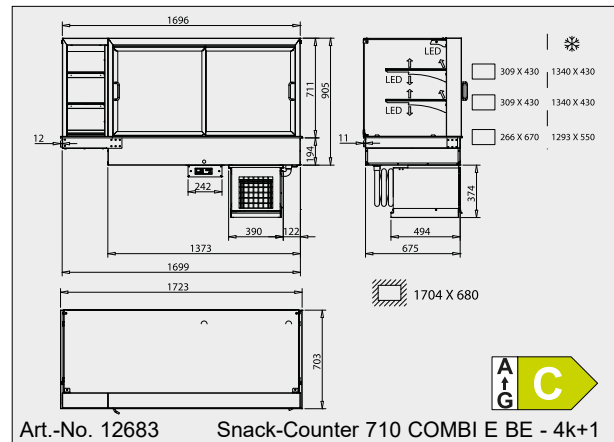
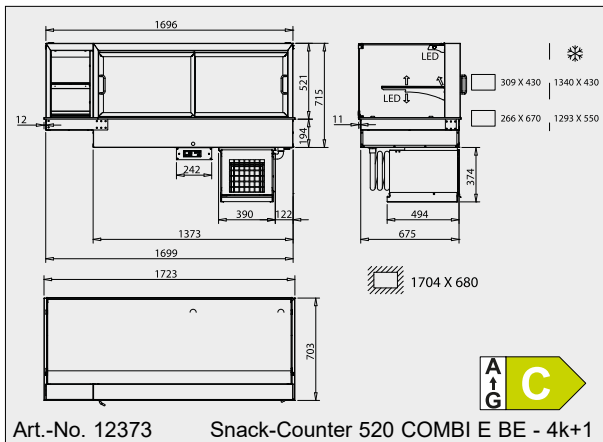
Cooling Unit Model

The cooling unit is encased in a stainless steel housing and is located beneath the cooling pan. It is easy to remove for servicing.

A condensate pan is available as accessory.



7
Combined
Display Cases



The drawings are shown with special accessory that is not included in the scope of delivery; more drawings are available on www.wiha-web.com under "Info Centre / Customer Area".