

## Tiered Refrigeration Module SKE 180

Ideal for cheese



**2**  
Tiered  
Installation

**Preferred application:**  
Cheese and other merchandise  
with a height of up to 18 cm max.

### Optimal climate for cheese and other higher merchandise

- Longer operating life of the cooling unit (LONG-LIFE)
- Hygienic base with round shaped corners (ROUND-BOTTOM)
- 4°C cooling technology
- 2 air speeds
- Lifiable evaporator



The surface has a fine surface finish.

SKE 180	For external cooling unit	With cooling unit and controller	Cooling power [-10°ET]	Connection cooling unit
Model	Art.-No.	Art.-No.		
SKE 180 - 400 *	5959	20580	370 W	230V/210W
SKE 180 - 600 *	5943	20581	370 W	230V/270W
SKE 180 - 800	5944	20582	450 W	230V/350W
SKE 180 - 1200	5945	20583	605 W	230V/390W
SKE 180 - 1600	5946	20584	825 W	230V/540W
SKE 180 - 1600 D (2 air coolers)	5998	20587	825W	230V/540W
SKE 180 - 2000 D (2 air coolers)	5947	20586 **	1060 W	230V/750W

The refrigeration units for external cooling units include an expansion valve for R134a/R513A and built-in temperature sensors. Protective machine cover and condensate pan/drain trap are available as accessories.

\* Not available with FRESHNESS SYSTEM. \*\* Without base element, the cooling unit is connected via refrigerant couplings.

### Special Accessories

	Art.-No.
Condensate pan mounted under the cooling unit	33196
Drain fitting 1 1/4" for connecting to the customer's drain	3815
Reference thermometer TPE 2 for the customer side	2182
TMP 620 controller for external cooling unit	12201
TMP 630 controller instead of TMP 620 with 2 freely usable outputs	12210
Detachable control panel (SPLIT-CONTROL)	12219
extra charge for device with cooling unit in the base housing	
Protective machine cover Type 370-825	33194
Protective machine cover type 825 (2 air coolers)	33195

**Air cooler for operation with refrigerant CO<sub>2</sub>** 10197  
(price per air cooler, design see page 384)

Quick-connect cleaning head (on-site drain is necessary)	6322
Bottom beam single, foldable	5982
Display shelf IMPLUSE with 2 bottom beams	
Width 400 mm	5980
Width 600 mm	5981

With the display shelf IMPLUSE, a product presentation is possible that is horizontal or inclined towards the customer.  
**Patented WiHA FRESHNESS SYSTEM** see page 47.

Side wall heightening for SKE 6403  
(The side walls are designed in same height as the height of the customer side.)

Base element UTB 51 optionally available, see table on page 386.

**Art.-No. 6407**  
DUO-Bridge SKE 180  
To connect two adjacent mounted SKE air chiller units.



**Art.-No. 6398 6429**  
Tiered module with mirror-like surface  
Width 400 mm, heights 12/50 mm 6398  
Width 600 mm, heights 12/50 mm 6429

### Description

Chiller unit with circulating air for cooling cheese and other higher merchandise with a height of up to 18 cm max. The air baffle (with ground surface) located behind the merchandise has slits for mounting bottom beams for a merchandise shelf that can be set at an angle.

To operate it, the customer should provide a glass top that should only be open on the air blow-off side.  
Temperature: < 5°C at 25°C/60% relative humidity (climate class 3 according to DIN EN ISO 23953).

Commercial product for the installation in stationary food and service counter.

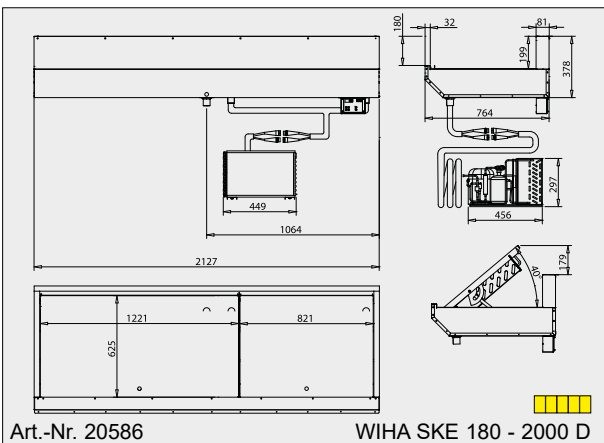
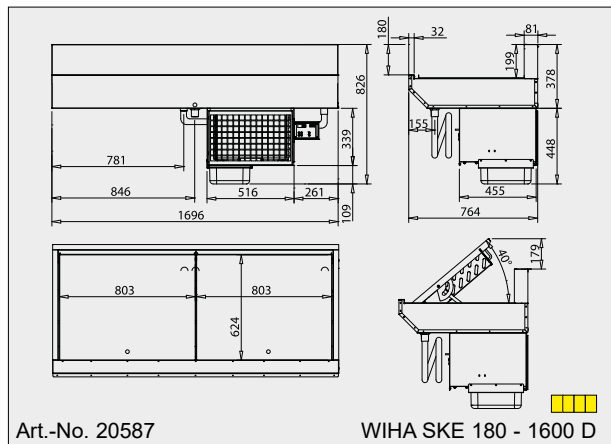
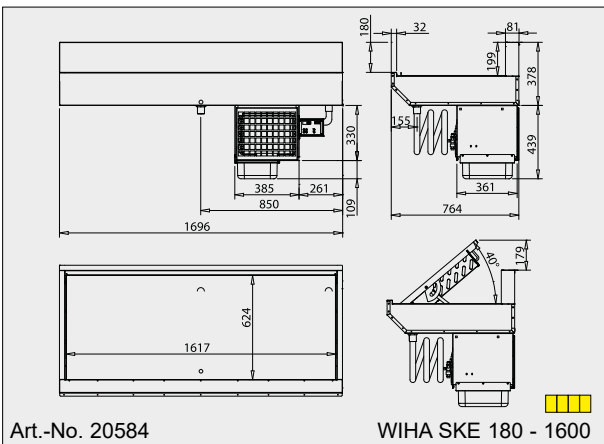
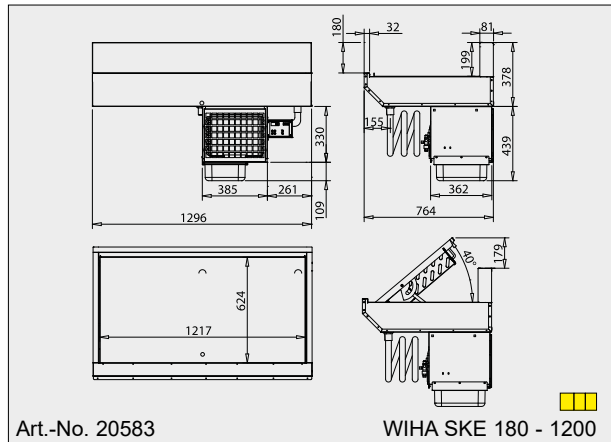
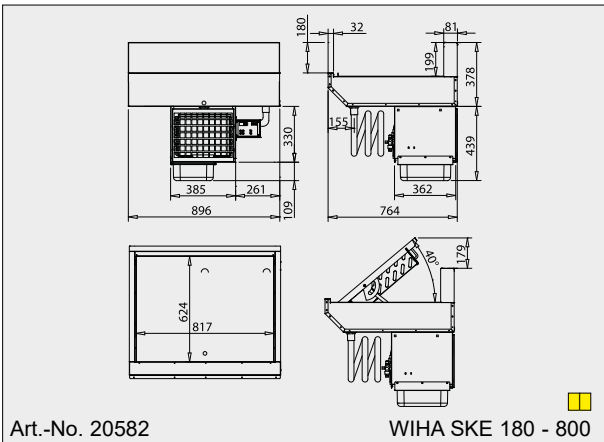
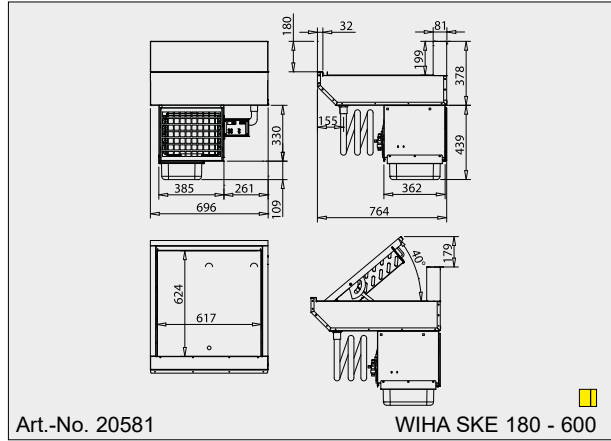
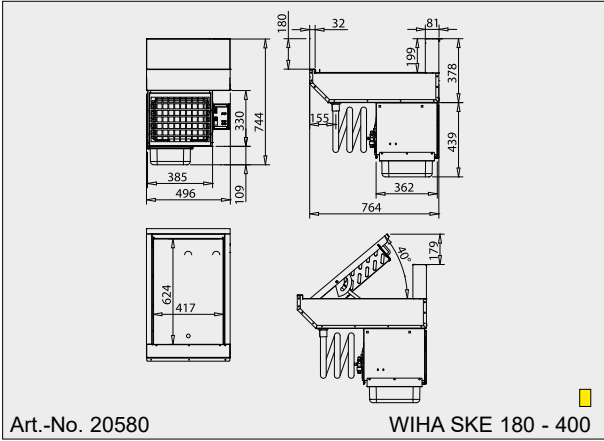
See page 48 for design details of the model.

# 2. Air Chiller Units

tiered installation



**2**  
Tiered  
Installation



The drawings are shown with special accessory that is not included; more drawings are available on [www.wiha-web.com](http://www.wiha-web.com) under "Info Centre / Customer Area".