

# 3. Air Chiller Units

angled installation (8°)



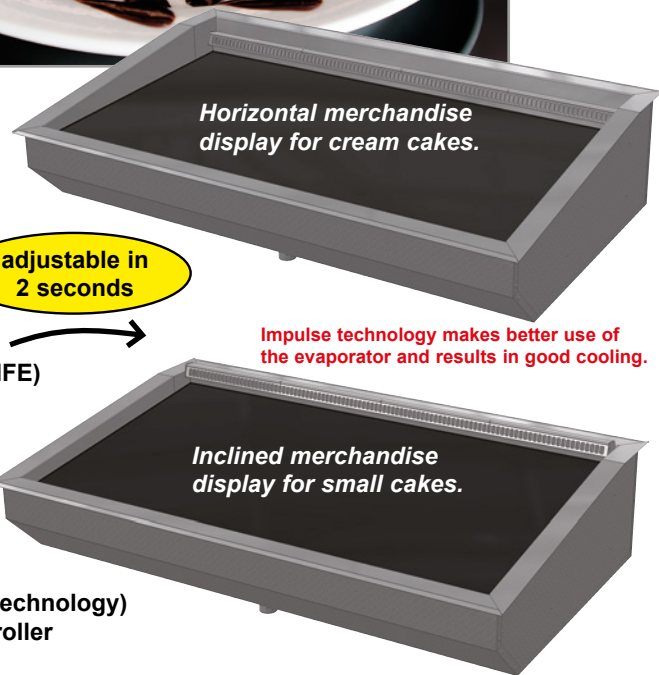
## Bäcker-Snack® 8° BG IMPULSE

The black display (inclined) enables a perfect presentation

<b>WiHA</b> <b>Freshness System</b> (Special Accessory) Patented	<b>WiHA</b> <b>MOVE-UP</b> Better view of the goods for the impulse sale	<b>WiHA</b> <b>LONG-LIFE</b> Longer operating life of the cooling unit
<b>WiHA</b> + <b>MOVE-DOWN</b> + gas pressure springs	<b>WiHA</b> <b>EASY-CLEAN</b> Easy cleaning of the air blow-off area	<b>WiHA</b> <b>SPLIT-CONTROL</b> (Special Accessory) Flat and removable control panel
<b>WiHA</b> <b>MOVE-AWAY</b> Patented	<b>WiHA</b> <b>ROUND-BOTTOM</b> Easy cleaning of the pan bottom	



**Preferred application:**  
Cream cakes, cakes, snacks with heights up to 8 cm max. Sandwiches on Snack Racks.



### The patented FRESHNESS SYSTEM for keeping food fresh longer

- **BLACK-GLASS** – merchandise display is made of toughened glass with scratch-resistant, black shiny surface
- The air cooler can be easily folded down (**MOVE-DOWN**), in case of R134a/R513A with additional gas pressure springs.
- Longer operating life of the cooling unit (**LONG-LIFE**)
- Hygienic base with round shaped corners (**ROUND-BOTTOM**)
- Easy cleaning of the air blow-off area (**EASY-CLEAN**)
- 4°C cooling technology
- 2 air speeds
- Lifiable evaporator
- Service friendly (**MOVE-DOWN** and **MOVE-AWAY** technology)
- Comfortable digital temperature and defrost controller
- Separate mounting frame

WIHA Bäcker-Snack 8° BG IMPULSE	For external cooling unit	With cooling unit and controller	Cooling power [-10°ET]	Connection cooling unit	
Model	Art.-No.	Art.-No.			
Bäcker-Snack 8° BG IMPULSE 600	25721	25727	370 W	230V/270W	■
Bäcker-Snack 8° BG IMPULSE 800	25722	25728	450 W	230V/350W	■
Bäcker-Snack 8° BG IMPULSE 1200	25723	25729	605 W	230V/390W	■
Bäcker-Snack 8° BG IMPULSE 1600	25724	25730	825 W	230V/540W	■
Bäcker-Snack 8° BG IMPULSE 2000 D (2 air coolers)	25726	25732 **	1060 W	230V/1025W	■

Delivery includes mounting frame. The refrigeration units for external cooling units include an expansion valve for R134a/R513A and built-in temperature sensors. The patented WIHA FRESHNESS SYSTEM, protective machine cover and condensate pan/drain trap are available as accessories.  
\* Not available with FRESHNESS SYSTEM. \*\* Without base element, the cooling unit is connected via refrigerant couplings.

Base element UTB 51 optionally available, see table on page 386.

### Special Accessories

	Art.-No.
Condensate pan mounted under the colling unit	33196
Drain fitting 1 1/4" for connecting to the customer's drain	3815
Reference thermometer for the customer side TPE 2	2182
TMP 620 controller for external cooling unit	12201
TMP 630 in place of TMP 620 with 2 freely usable outputs	12210
Detachable control panel (SPLIT-CONTROL)	12219
extra charge for device with cooling unit in the base housing	
Protective machine cover type 370-825	33194
<b>Air cooler for operation with refrigerant CO<sub>2</sub></b>	<b>10197</b>
(price per air cooler, design see page 384)	

Patented WIHA FRESHNESS SYSTEM see page 31.

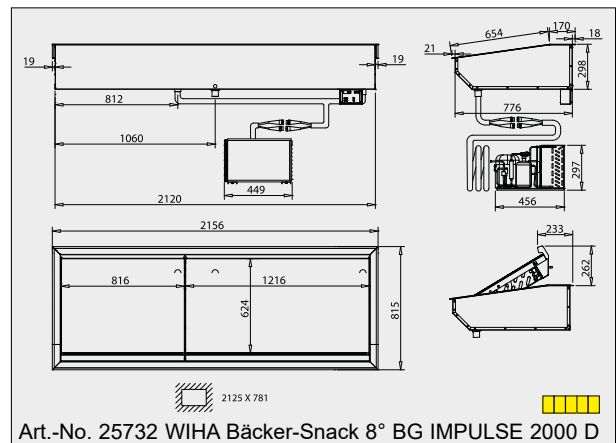
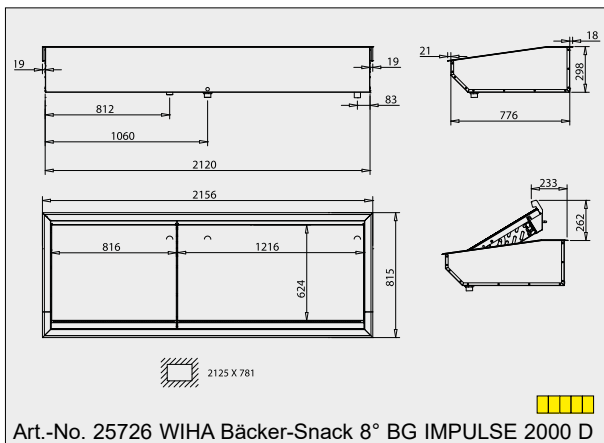
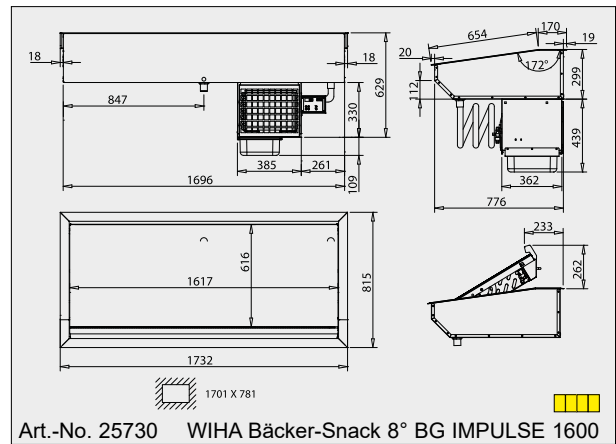
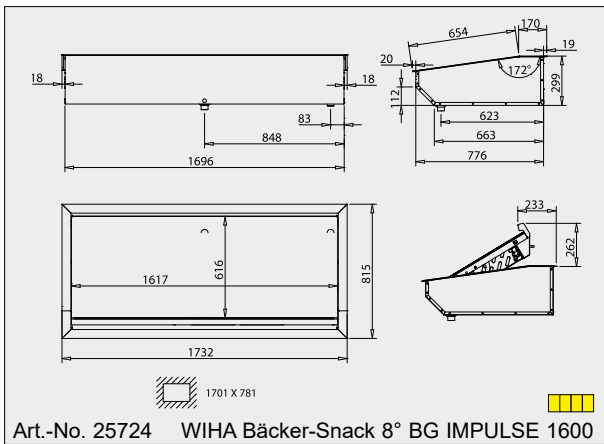
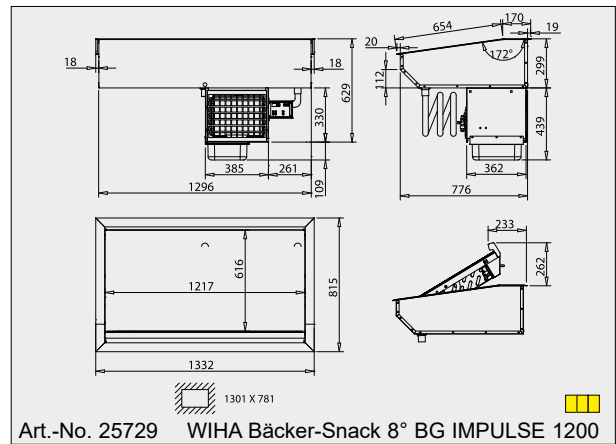
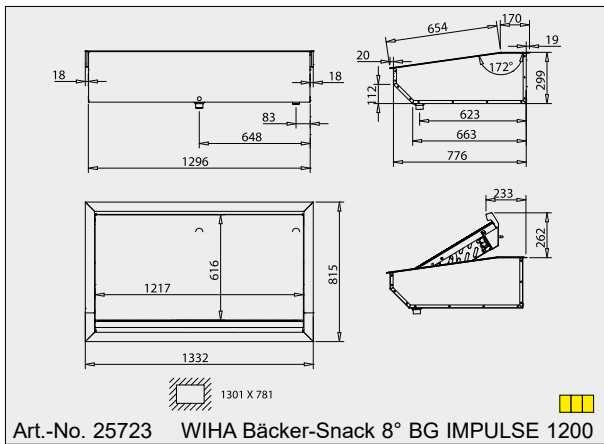
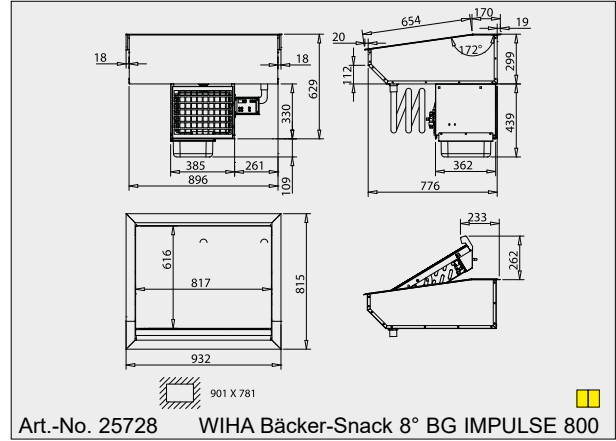
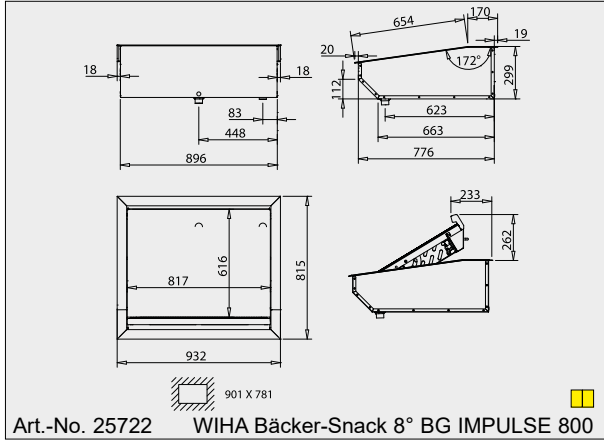
### Description

Chiller unit with circulating air for cooling cakes, tarts and snacks with a merchandise height of up to 6 cm (lower position). The effective merchandise display made of black toughened glass can be adjusted horizontally or for impulse sales at an angle (MOVE-UP FUNCTION). To operate it, the customer should provide a glass top that should only be open on the air blow-off side.  
Temperature:  
Lower position: < 5°C at 25°C/60% relative humidity (climate class 3 according to DIN EN ISO 23953).  
Upper position: < 7°C at 25°C/60% relative humidity (climate class 3 according to DIN EN ISO 23953).

Commercial product for the installation in stationary food and service counter.

### Design

See page 89 (Bäcker-Snack 8° IMPULSE) for design details of this model, but with black toughened glass with scratch-resistant, black shiny surface.



The drawings are shown with special accessory that is not included; more drawings are available on [www.wiha-web.com](http://www.wiha-web.com) under "Info Centre / Customer Area".